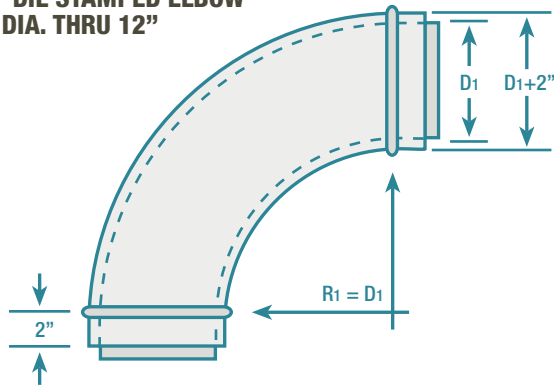


Double Wall Round **ELBOWS**

TAMBE METAL PRODUCTS

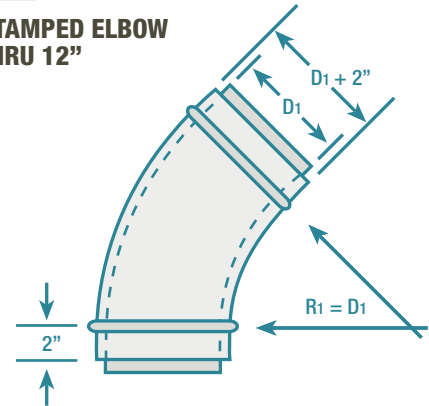
E90

90° DIE STAMPED ELBOW
3" DIA. THRU 12"



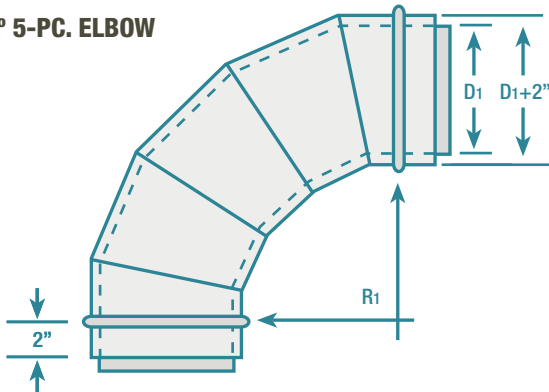
E45

45° DIE STAMPED ELBOW
3" DIA. THRU 12"



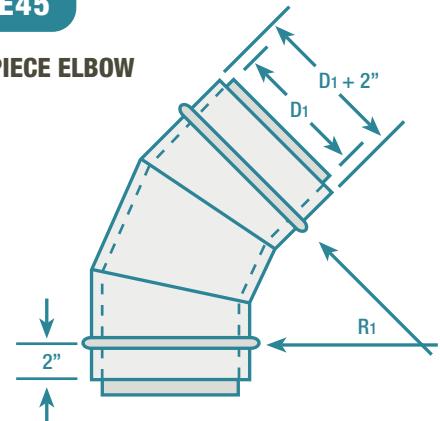
E90

90° 5-PC. ELBOW



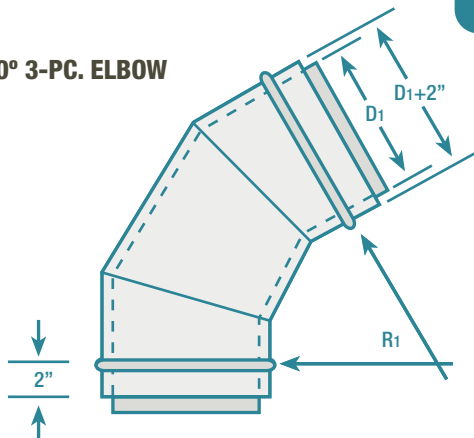
E45

45° 3-PIECE ELBOW



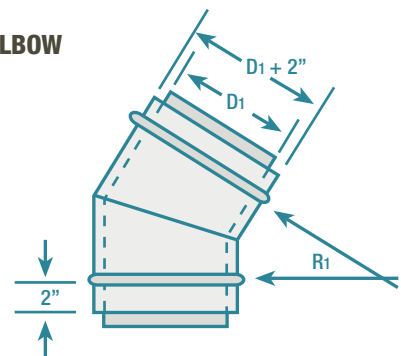
E60

60° 3-PC. ELBOW



E15/E30

15° & 30°
2-PIECE ELBOW

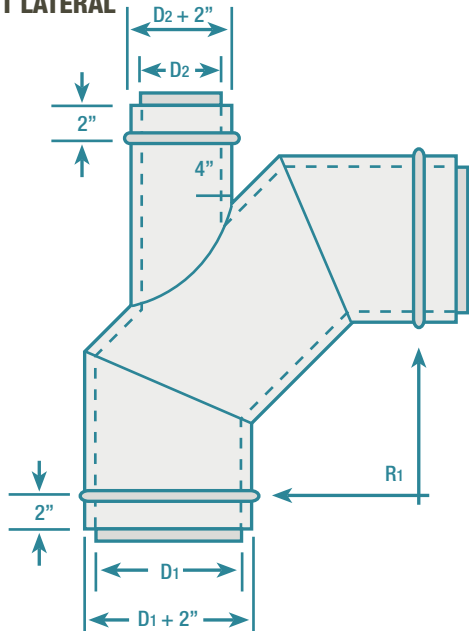


Double Wall Round **ELBOWS**

TAMBE METAL PRODUCTS

90° 3-PC. ELBOW WITH STRAIGHT LATERAL

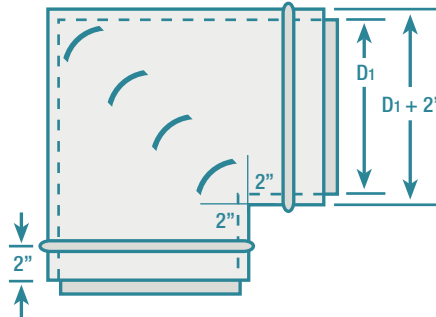
E90L



E290/EV290

90° 2-PC. ELBOW

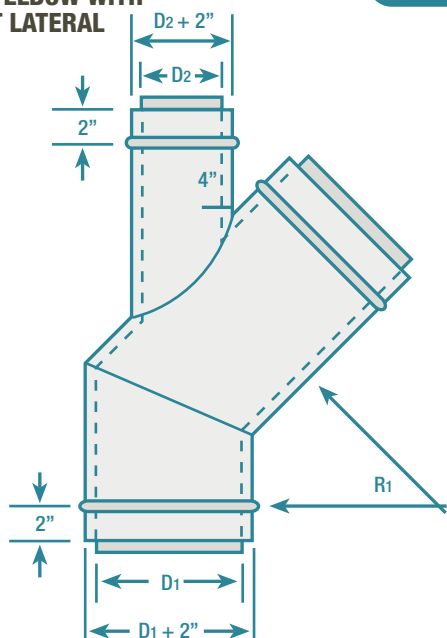
With or without vanes.



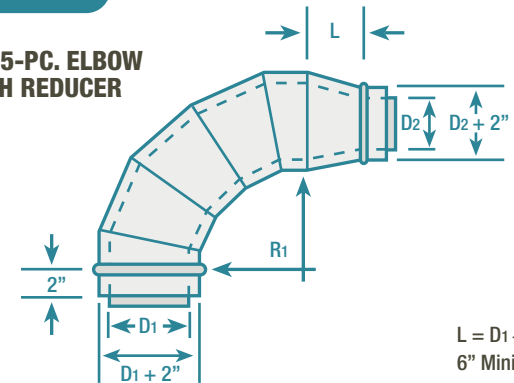
D1	No. of vanes
3-9	2
10-14	3
15-19	4
20-60	5
≥60	Max 12" spacing

45° 2-PC. ELBOW WITH STRAIGHT LATERAL

E45L

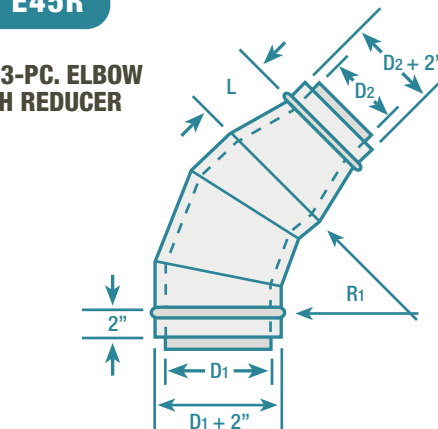


90° 5-PC. ELBOW WITH REDUCER



$L = D1 - D2$
6" Minimum

45° 3-PC. ELBOW WITH REDUCER



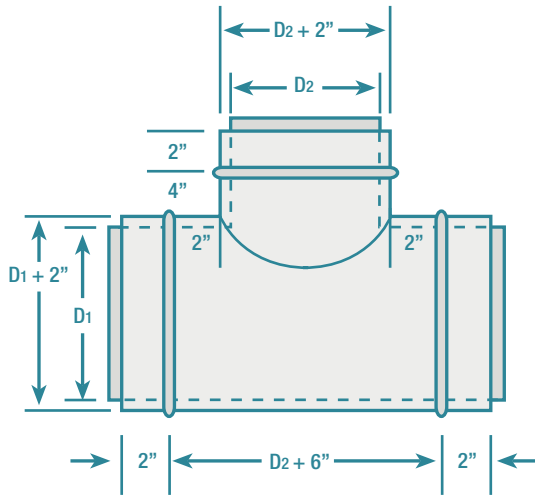
$L = D1 - D2$
6" Minimum

Double Wall Round STRAIGHT TEES

TAMBE METAL PRODUCTS

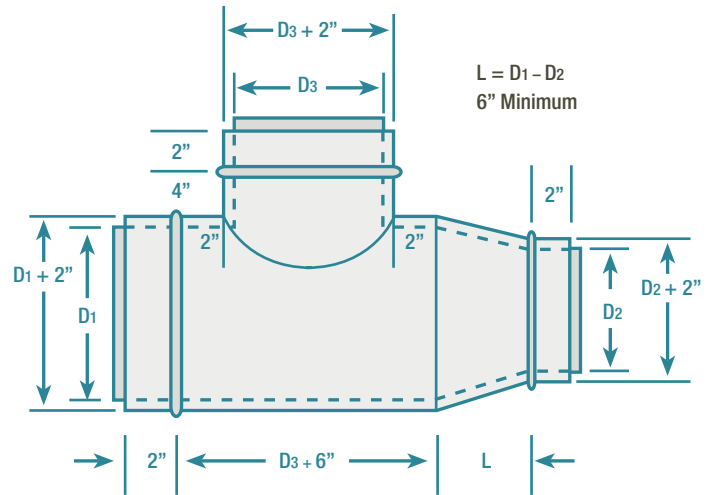
T

TEE



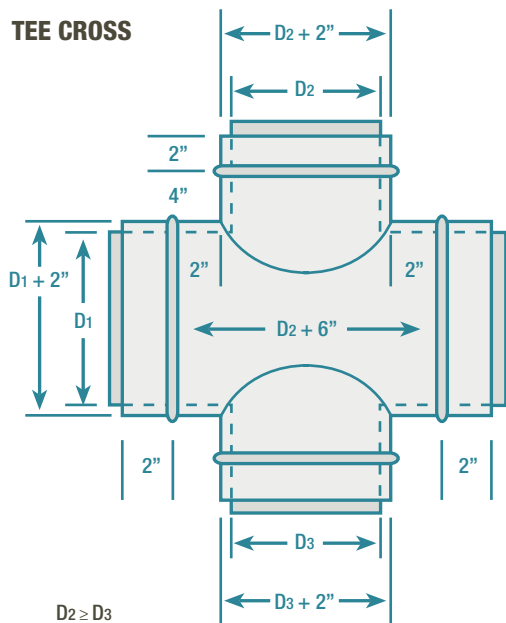
TR

REDUCING TEE



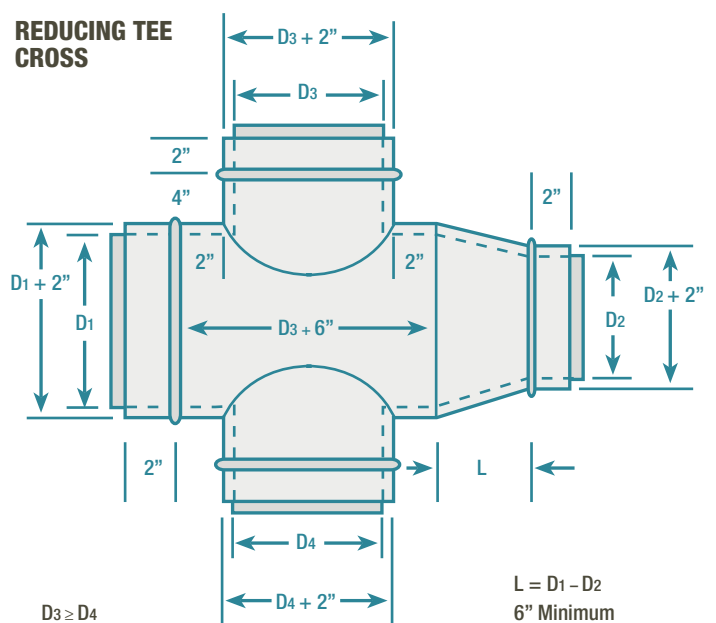
TX

TEE CROSS



TRX

REDUCING TEE CROSS

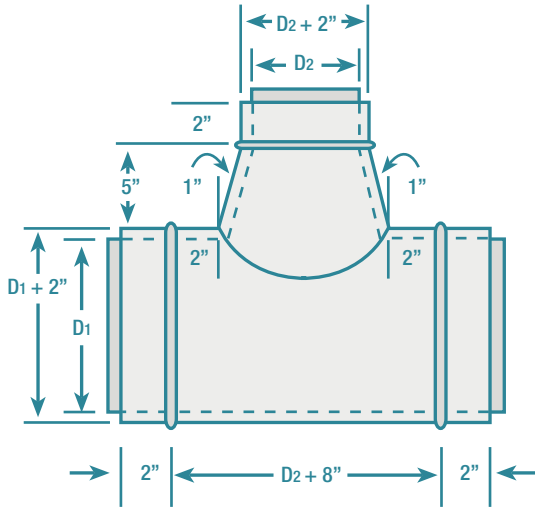


Double Wall Round **CONICAL TEES**

TAMBE METAL PRODUCTS

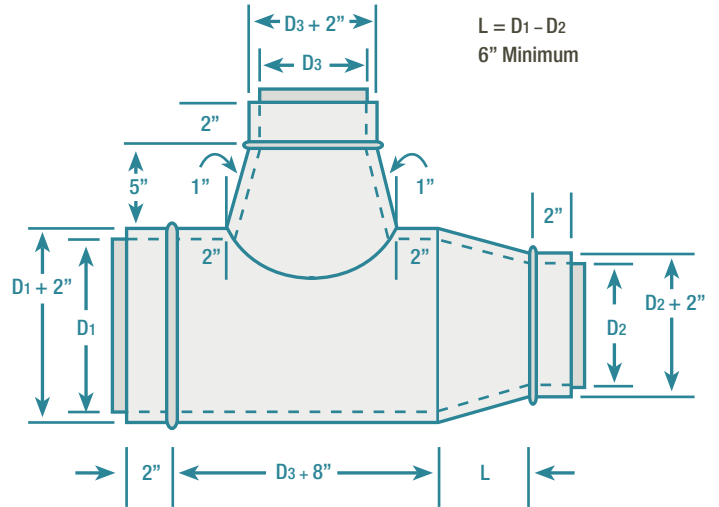
CT

CONICAL TEE



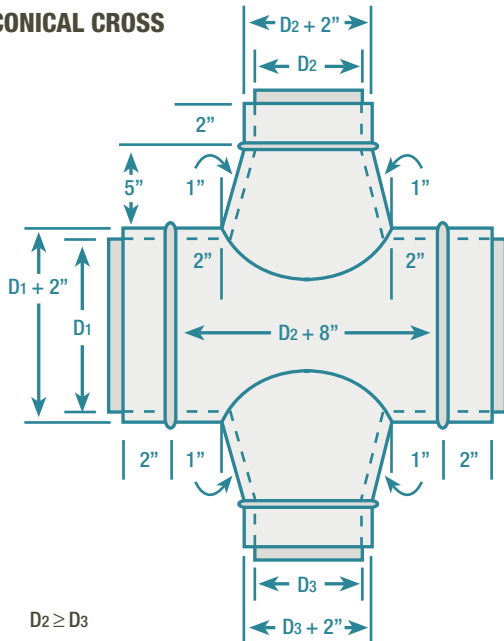
CTR

REDUCING CONICAL TEE



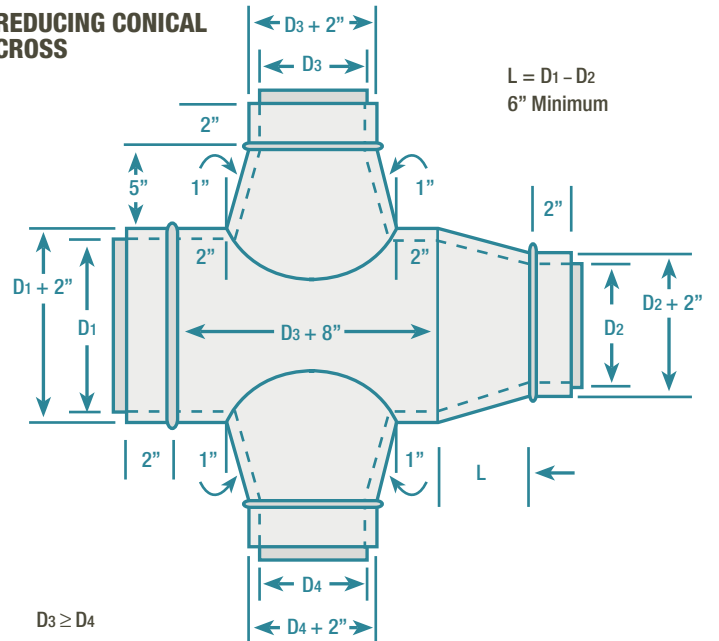
CTX

CONICAL CROSS



CTRX

REDUCING CONICAL CROSS



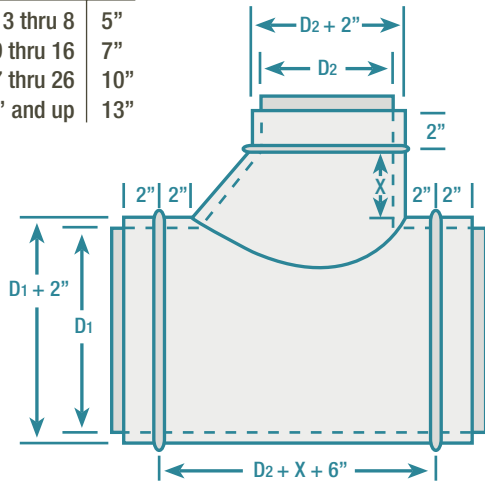
Double Wall Round **SHOE TEES**

TAMBE METAL PRODUCTS

ST

SHOE TEE

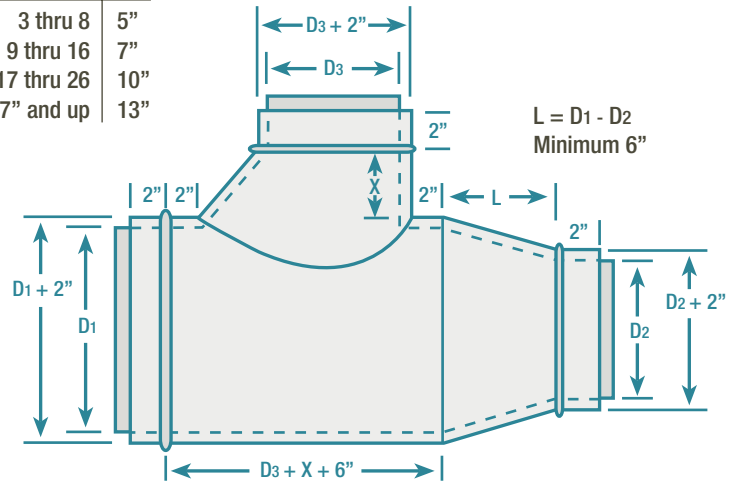
D2	X
3 thru 8	5"
9 thru 16	7"
17 thru 26	10"
27" and up	13"



STR

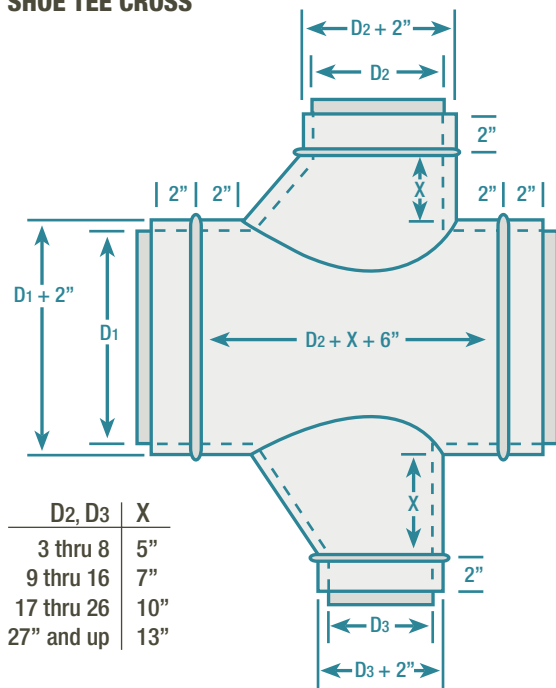
REDUCING SHOE TEE

D3	X
3 thru 8	5"
9 thru 16	7"
17 thru 26	10"
27" and up	13"



STX

SHOE TEE CROSS

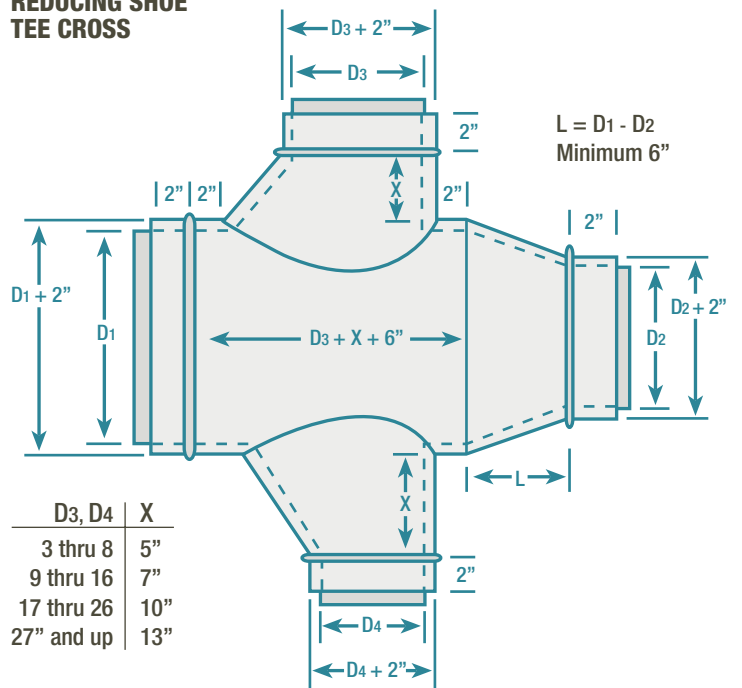


D2, D3	X
3 thru 8	5"
9 thru 16	7"
17 thru 26	10"
27" and up	13"

$D_2 \geq D_3$

STRX

REDUCING SHOE TEE CROSS



D3, D4	X
3 thru 8	5"
9 thru 16	7"
17 thru 26	10"
27" and up	13"

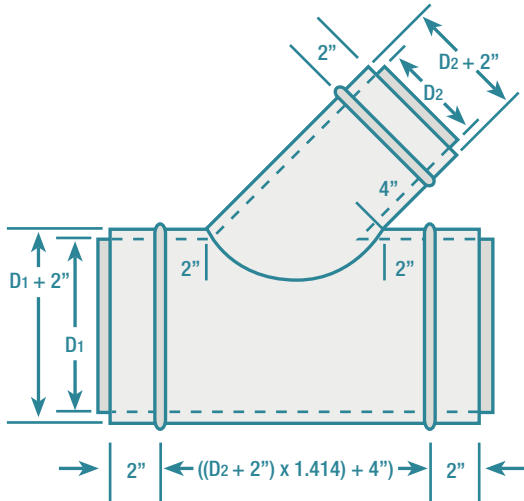
$D_3 \geq D_4$

Double Wall Round STRAIGHT LATERALS

TAMBE METAL PRODUCTS

L

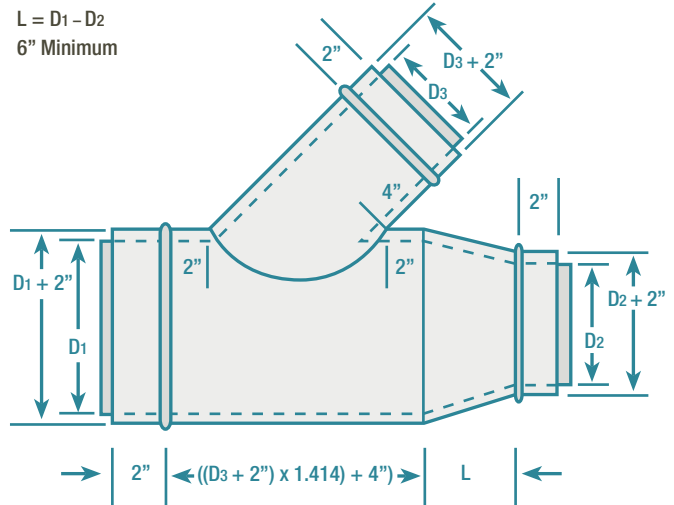
45° LATERAL



LR

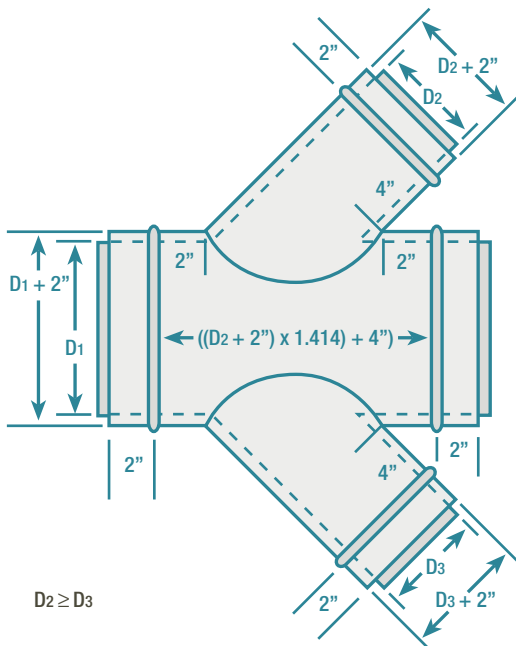
45° REDUCING LATERAL

$L = D_1 - D_2$
6" Minimum



LX

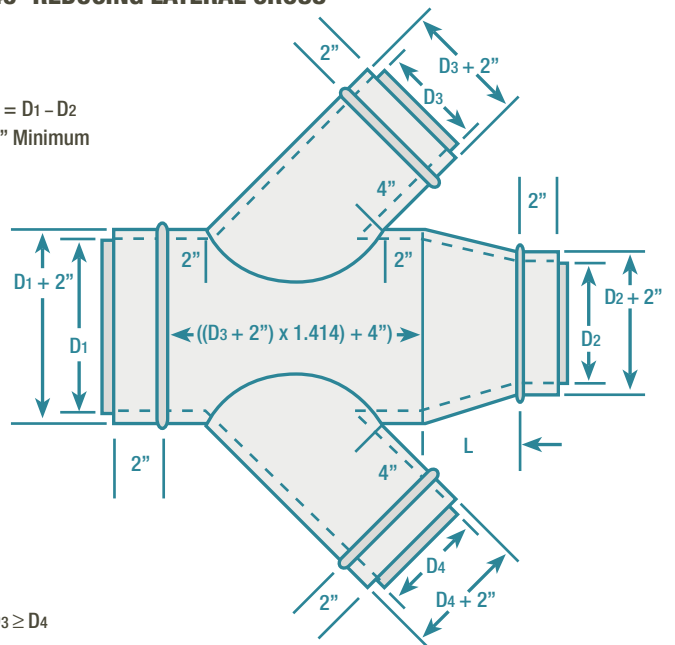
45° LATERAL CROSS



LRX

45° REDUCING LATERAL CROSS

$L = D_1 - D_2$
6" Minimum

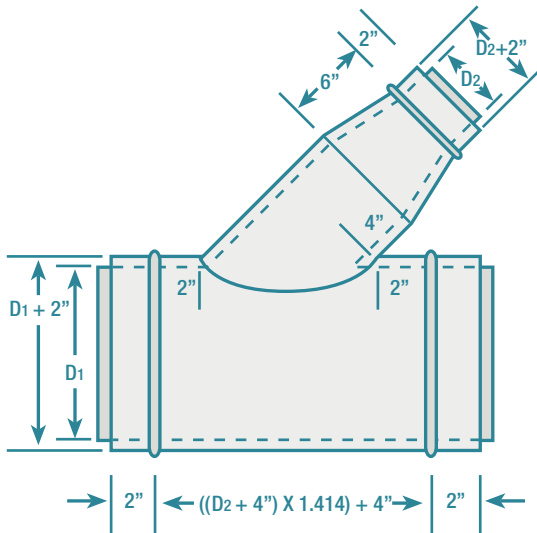


Double Wall Round CONICAL LATERALS

TAMBE METAL PRODUCTS

CL

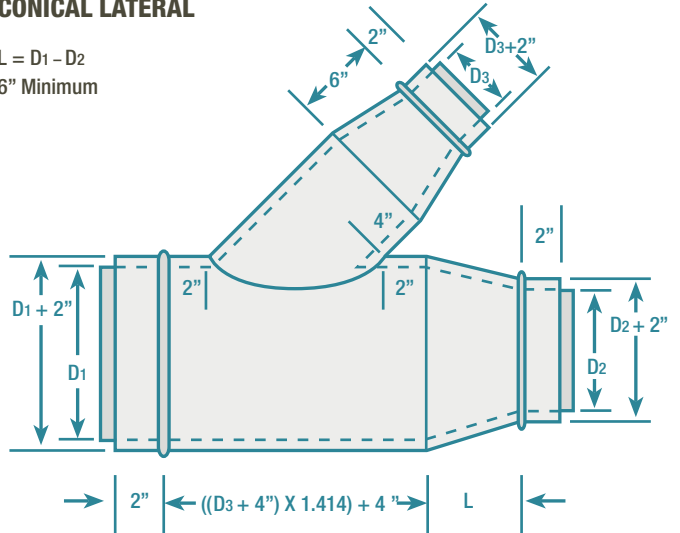
45° CONICAL LATERAL



CLR

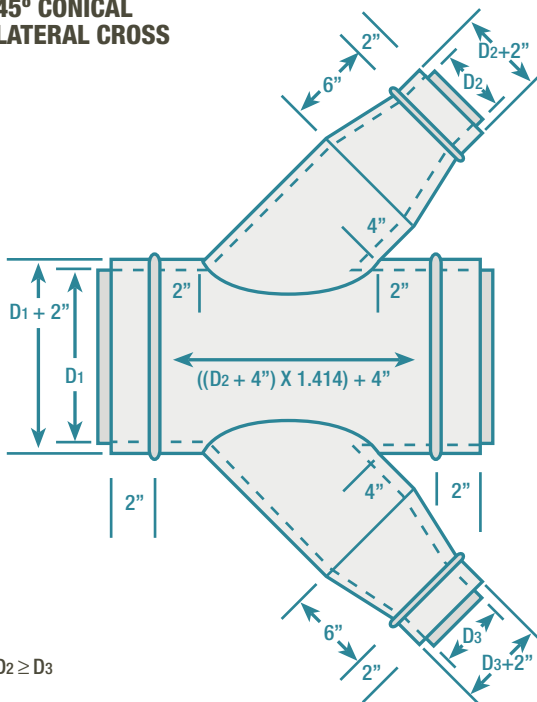
45° REDUCING CONICAL LATERAL

$L = D_1 - D_2$
6" Minimum



CLX

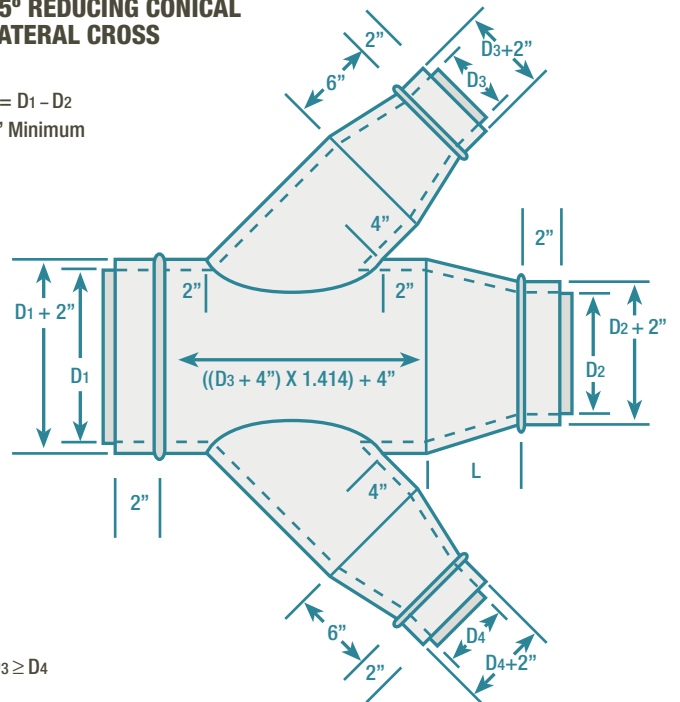
45° CONICAL LATERAL CROSS



CLR X

45° REDUCING CONICAL LATERAL CROSS

$L = D_1 - D_2$
6" Minimum



Double Wall Round MISCELLANEOUS

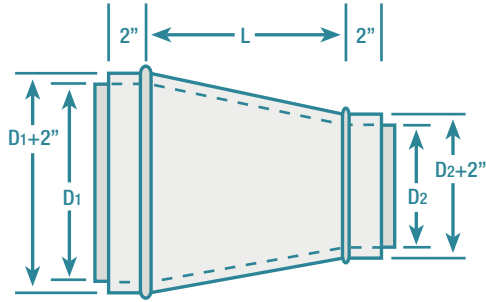
TAMBE METAL PRODUCTS

RDC

CONCENTRIC REDUCER

$$L = D_1 - D_2$$

6" Minimum

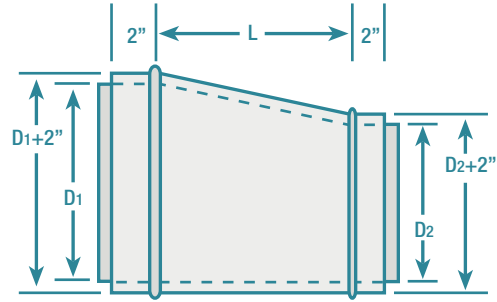


RDE

ECCENTRIC REDUCER

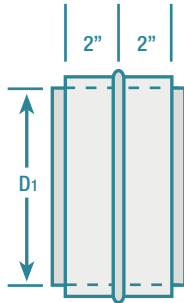
$$L = 2 [D_1 - D_2]$$

6" Minimum



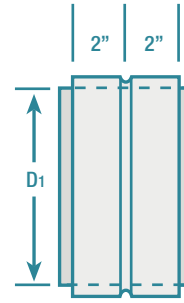
PC

PIPE COUPLING



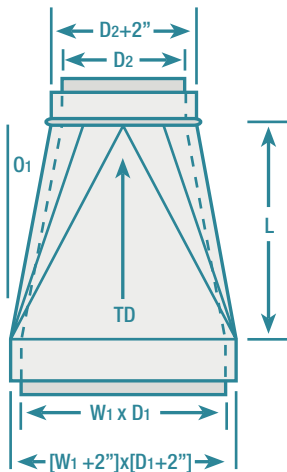
FC

FITTING COUPLING



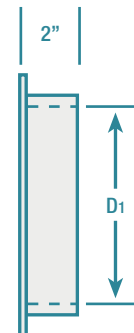
RTR

RECTANGLE TO ROUND



EC

END CAP

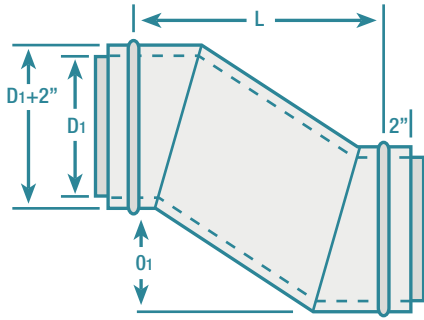


Double Wall Round MISCELLANEOUS

TAMBE METAL PRODUCTS

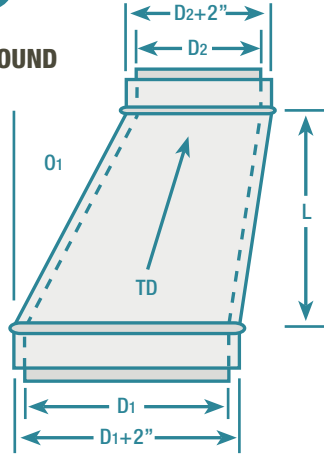
SET

OFFSET



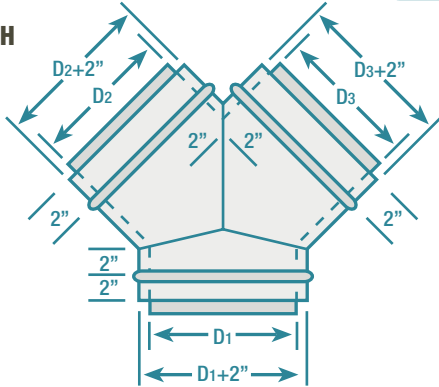
ROET

ROUND TO ROUND



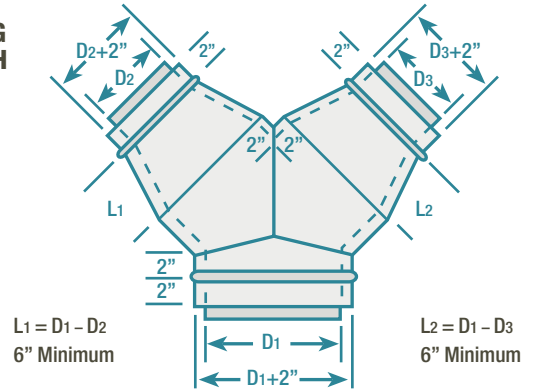
Y45

Y BRANCH



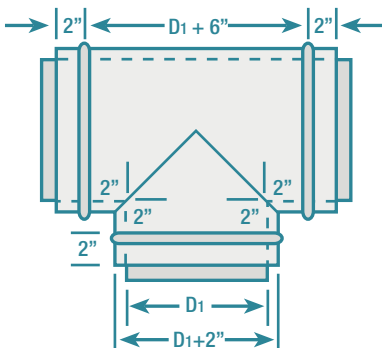
YR45

REDUCING Y BRANCH



BHT/BHTV

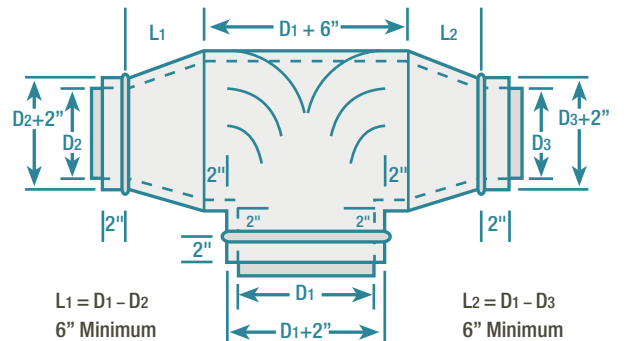
BULL HEAD TEE With or without vanes.



D1	No. of vanes
3-7	1
8-10	3
10-60	5
>60	Max 12" spacing

BHTR/BHTRV

REDUCING BULL HEAD TEE With or without vanes.



Shop/Field Installed **ACCESSORIES**

TAMBE METAL PRODUCTS

