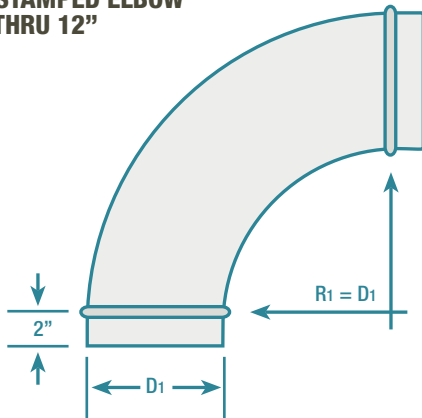


# Single Wall Round **ELBOWS**

**TAMBE** METAL PRODUCTS

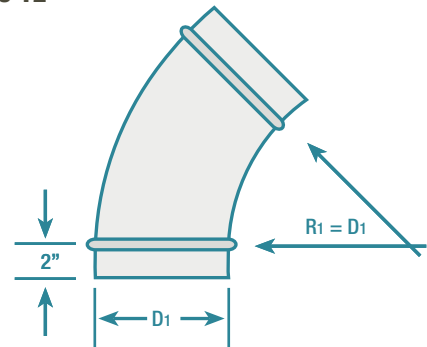
**E90**

**90° DIE STAMPED ELBOW**  
3" DIA. THRU 12"



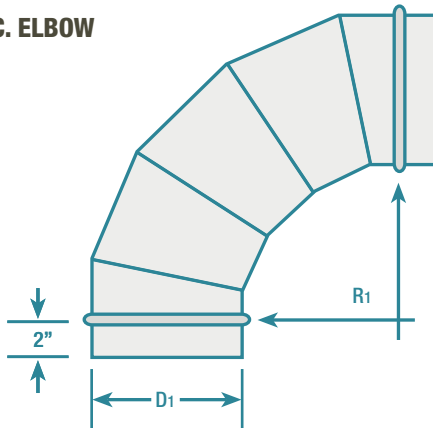
**E45**

**45° DIE STAMPED ELBOW**  
3" DIA. THRU 12"



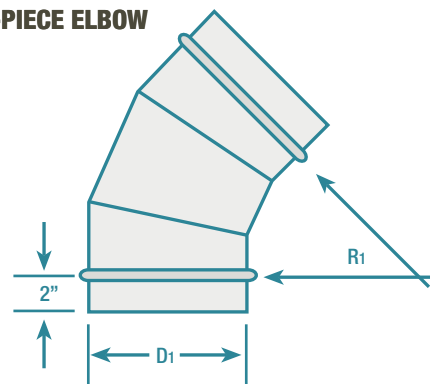
**E90**

**90° 5-PC. ELBOW**



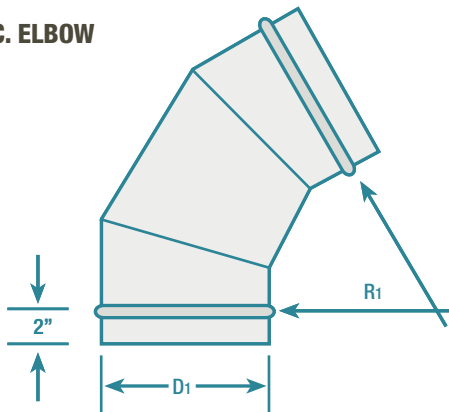
**E45**

**45° 3-PIECE ELBOW**



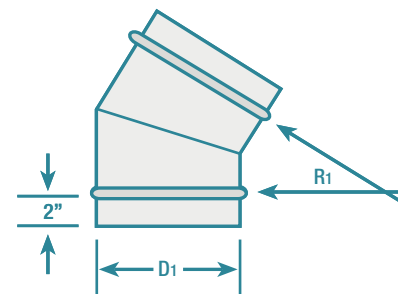
**E60**

**60° 3-PC. ELBOW**



**E15/E30**

**15° & 30° 2-PIECE ELBOW**

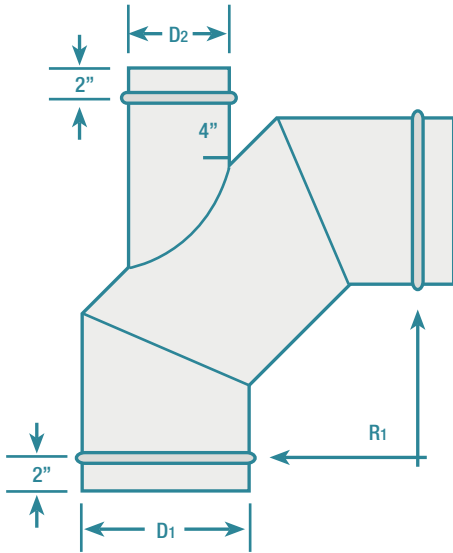


# Single Wall Round **ELBOWS**

TAMBE METAL PRODUCTS

**90° 3-PC. ELBOW WITH STRAIGHT LATERAL**

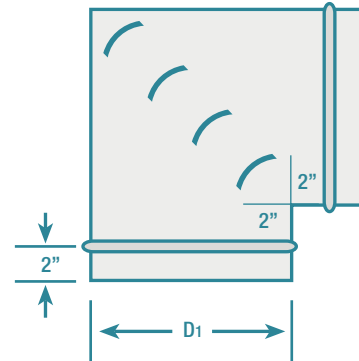
**E90L**



**E290/EV290**

With or without vanes.

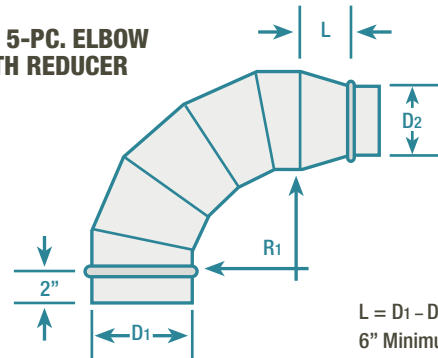
**90° 2-PC. ELBOW**



D1	No. of vanes
3-9	2
10-14	3
15-19	4
20-60	5
≥60	Max 12" spacing

**E90R**

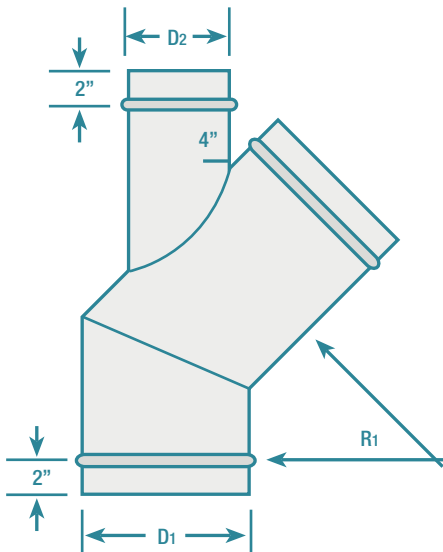
**90° 5-PC. ELBOW WITH REDUCER**



$L = D1 - D2$   
6" Minimum

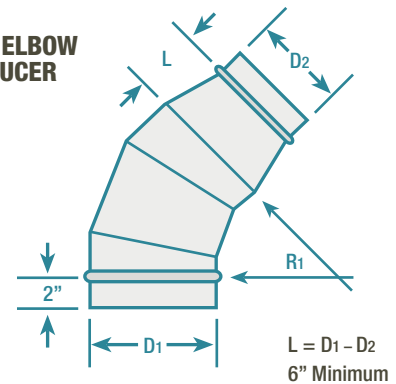
**45° 2-PC. ELBOW WITH STRAIGHT LATERAL**

**E45L**



**E45R**

**45° 3-PC. ELBOW WITH REDUCER**



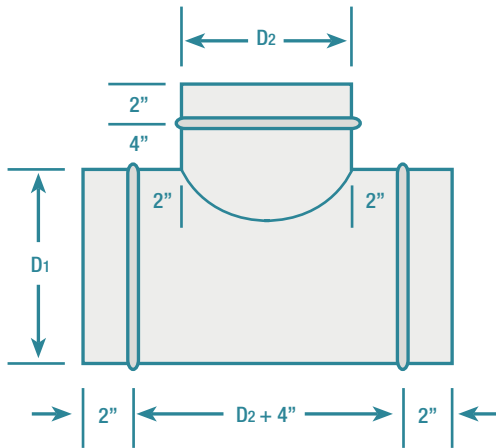
$L = D1 - D2$   
6" Minimum

# Single Wall Round STRAIGHT TEES

TAMBE METAL PRODUCTS

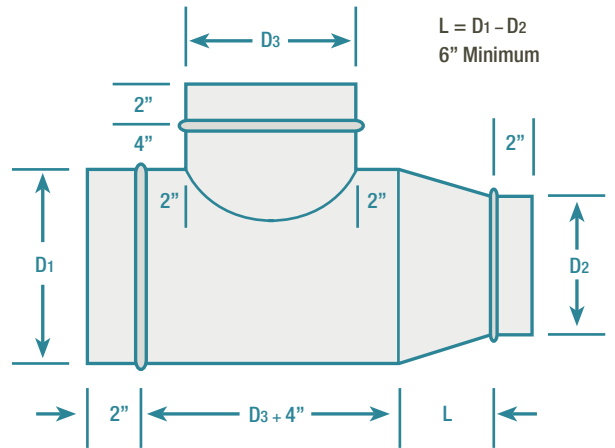
T

TEE



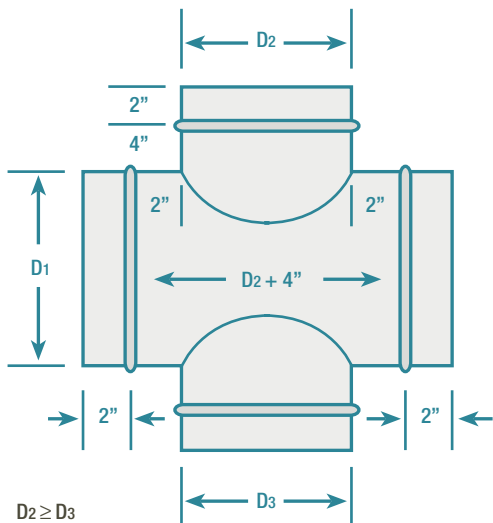
TR

REDUCING TEE



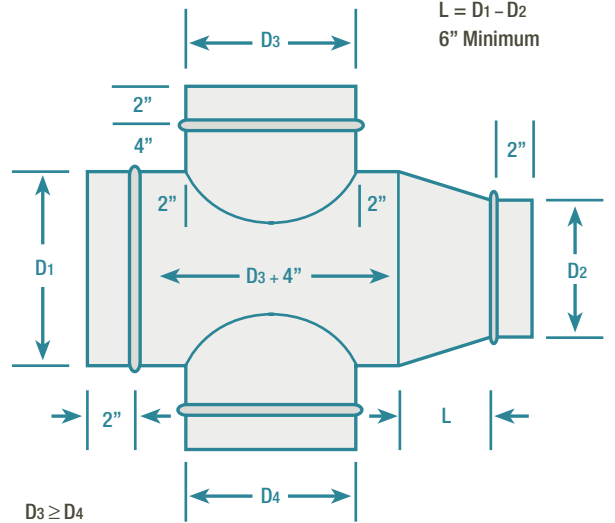
TX

TEE CROSS



TRX

REDUCING TEE CROSS

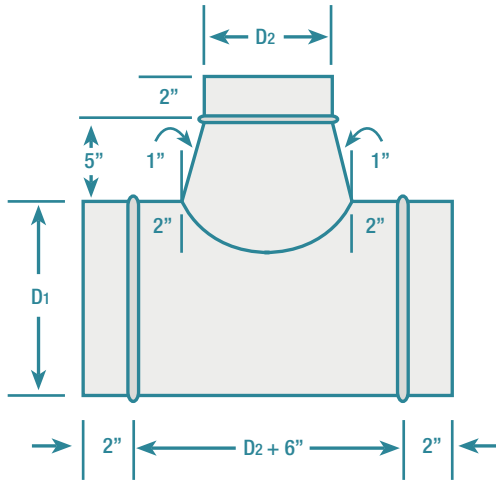


# Single Wall Round CONICAL TEES

TAMBE METAL PRODUCTS

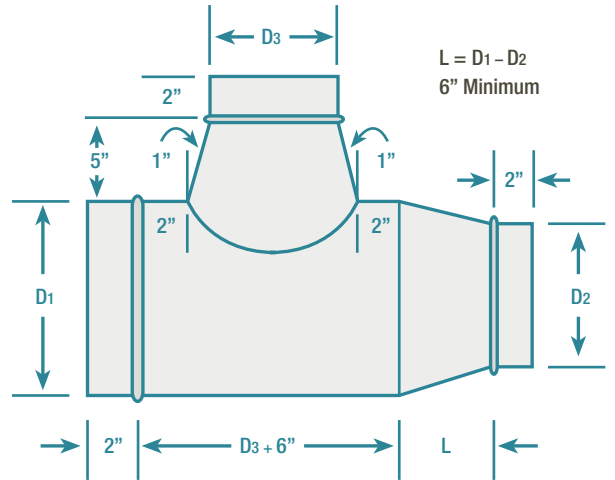
CT

CONICAL TEE



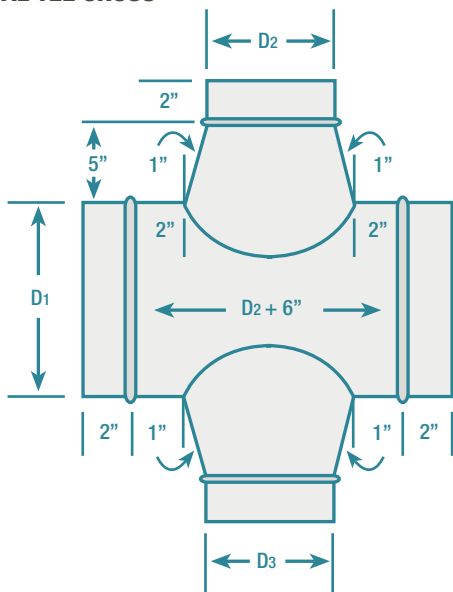
CTR

REDUCING CONICAL TEE



CTX

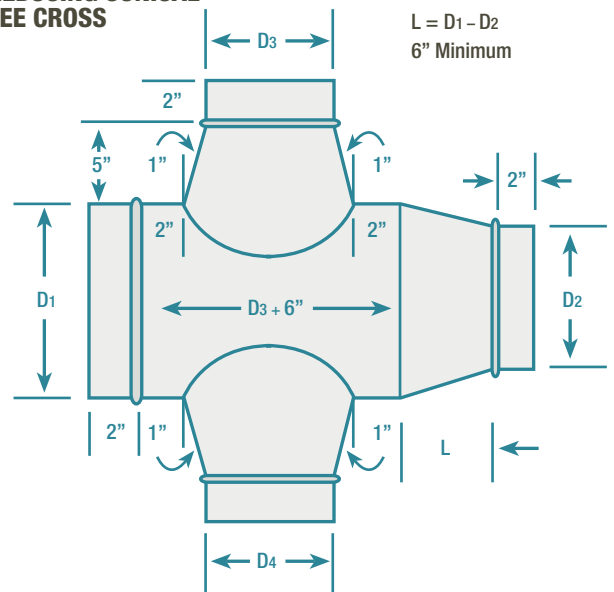
CONICAL TEE CROSS



$D_2 \geq D_3$

CTRX

REDUCING CONICAL TEE CROSS



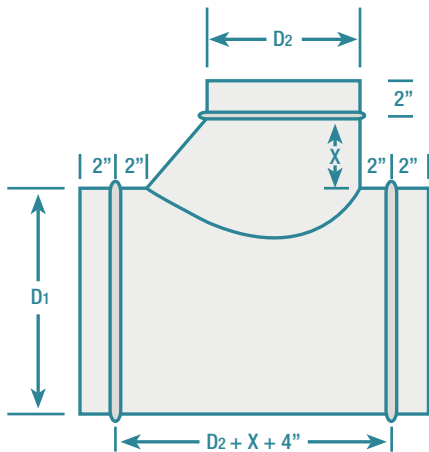
$D_3 \geq D_4$

# Single Wall Round **SHOE TEES**

TAMBE METAL PRODUCTS

## ST

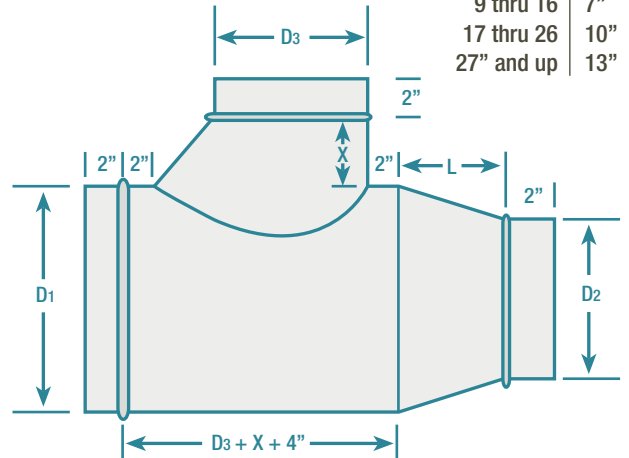
### SHOE TEE



D2	X
3 thru 8	5"
9 thru 16	7"
17 thru 26	10"
27" and up	13"

## STR

### REDUCING SHOE TEE

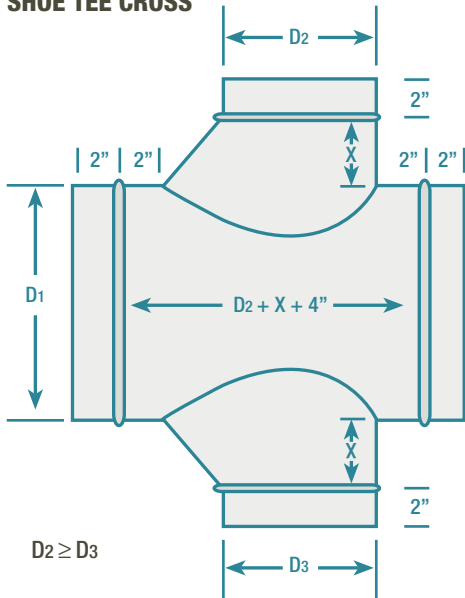


D3	X
3 thru 8	5"
9 thru 16	7"
17 thru 26	10"
27" and up	13"

$L = D1 - D2$   
Minimum 6"

## STX

### SHOE TEE CROSS

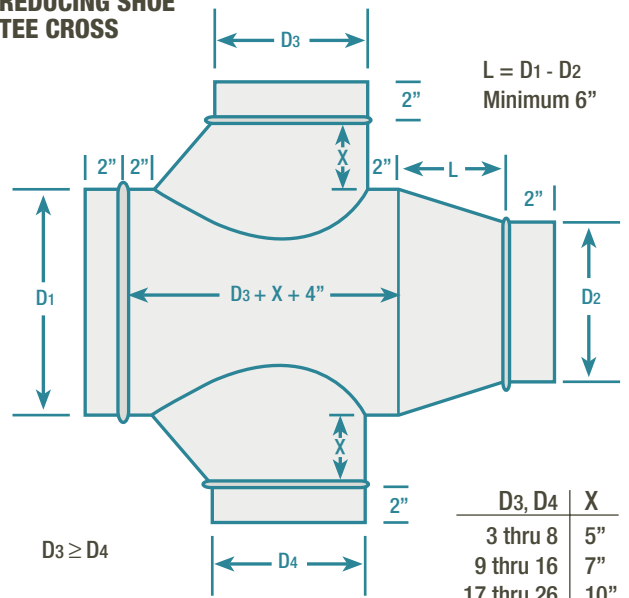


D2, D3	X
3 thru 8	5"
9 thru 16	7"
17 thru 26	10"
27" and up	13"

$D2 \geq D3$

## STRX

### REDUCING SHOE TEE CROSS



$L = D1 - D2$   
Minimum 6"

D3, D4	X
3 thru 8	5"
9 thru 16	7"
17 thru 26	10"
27" and up	13"

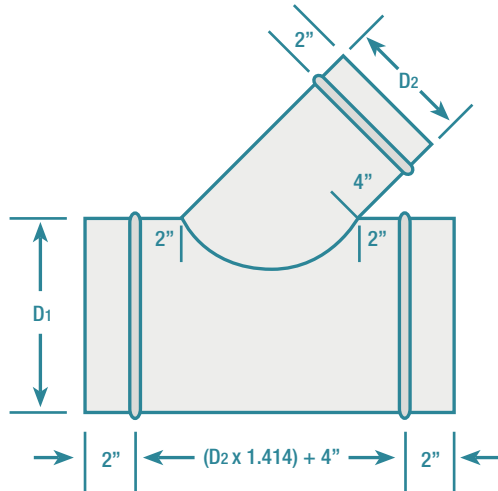
$D3 \geq D4$

# Single Wall Round STRAIGHT LATERALS

TAMBE METAL PRODUCTS

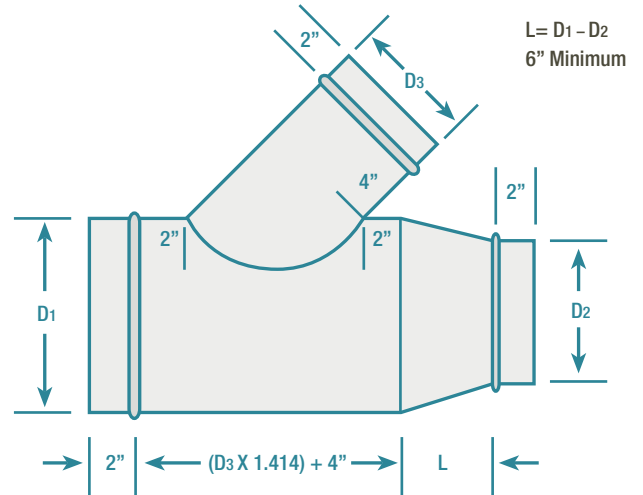
L

45° LATERAL



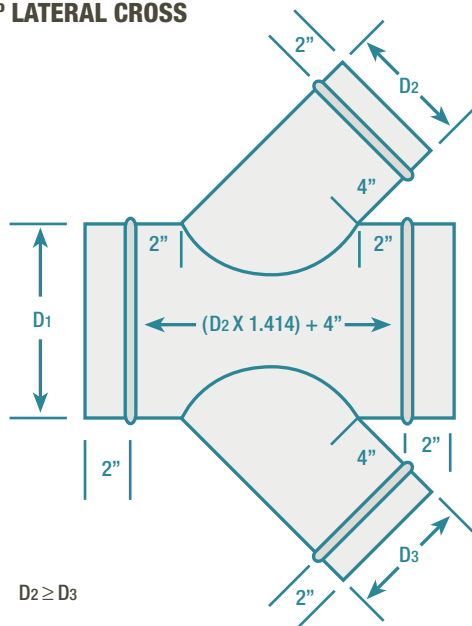
LR

45° REDUCING LATERAL



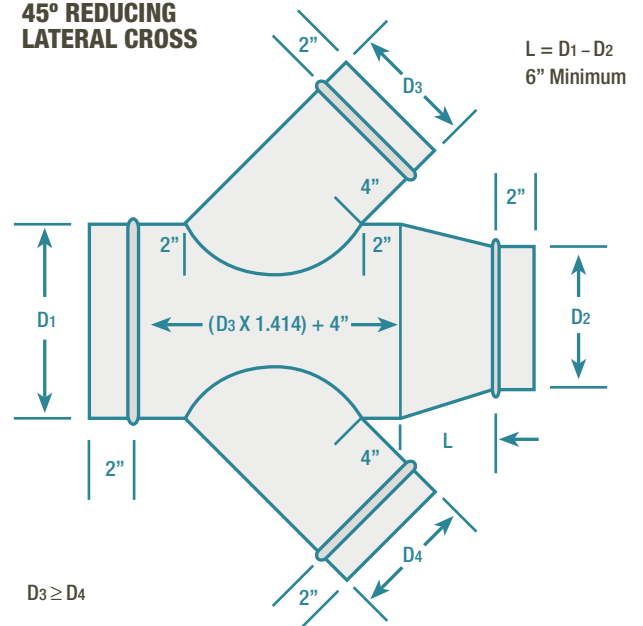
LX

45° LATERAL CROSS



LRX

45° REDUCING LATERAL CROSS

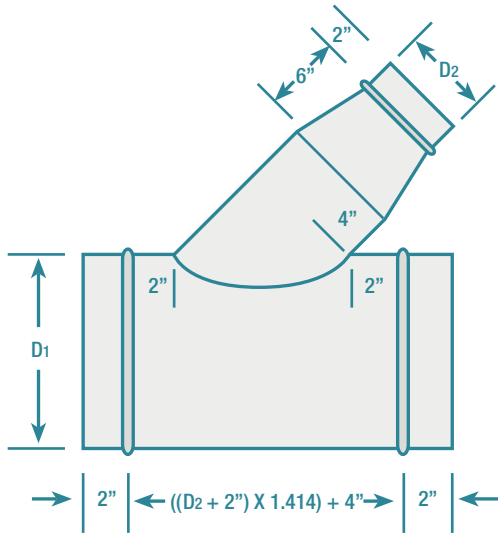


# Single Wall Round CONICAL LATERALS

TAMBE METAL PRODUCTS

CL

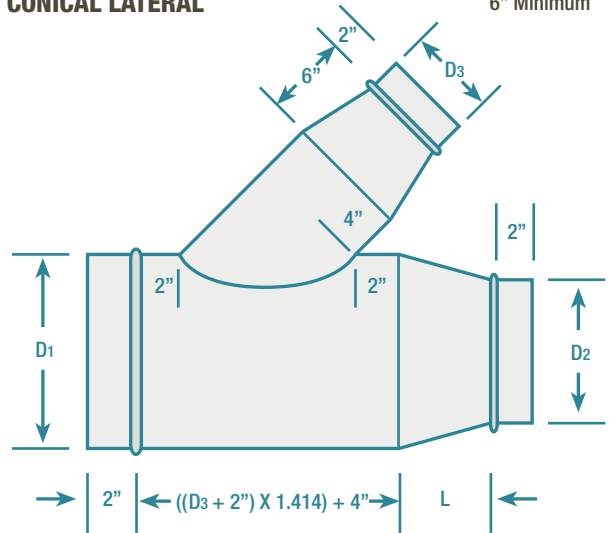
45° CONICAL LATERAL



CLR

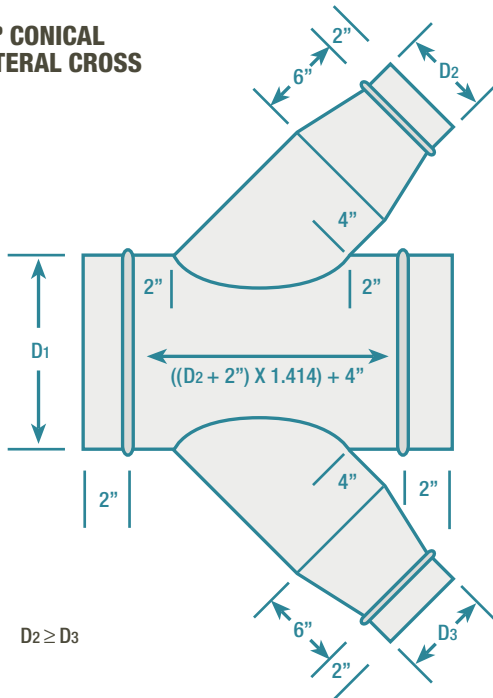
45° REDUCING CONICAL LATERAL

$L = D_1 - D_2$   
6" Minimum



CLX

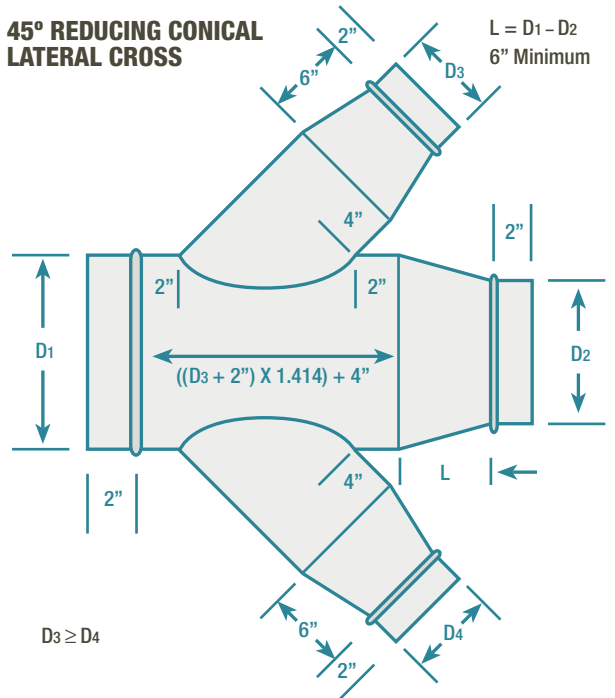
45° CONICAL LATERAL CROSS



CLR X

45° REDUCING CONICAL LATERAL CROSS

$L = D_1 - D_2$   
6" Minimum



# Single Wall Round MISCELLANEOUS

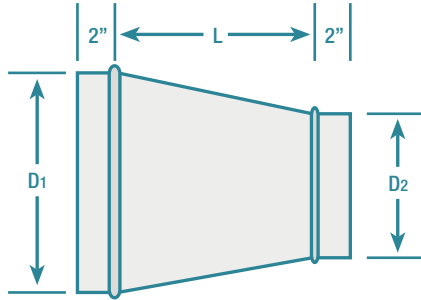
TAMBE METAL PRODUCTS

RDC

CONCENTRIC REDUCER

$$L = D_1 - D_2$$

6" Minimum

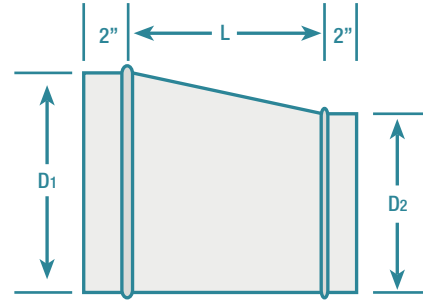


RDE

ECCENTRIC REDUCER

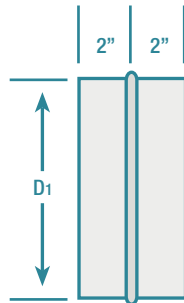
$$L = 2 [D_1 - D_2]$$

6" Minimum



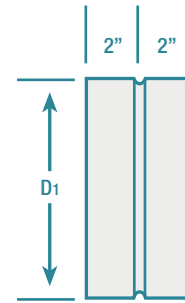
PC

PIPE COUPLING



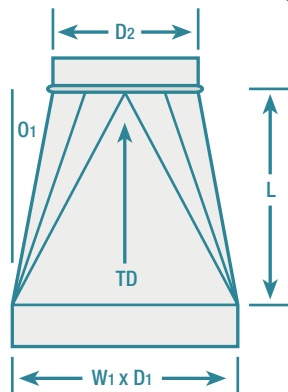
FC

FITTING COUPLING



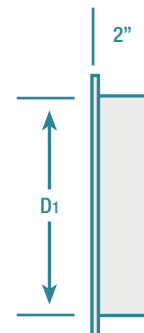
RTR

RECTANGLE TO ROUND



EC

END CAP



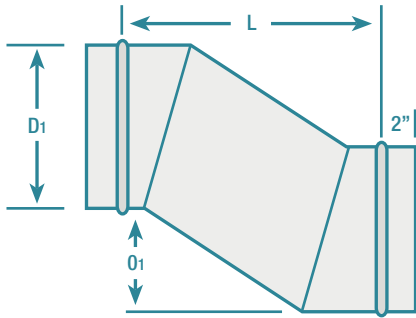


# Single Wall Round MISCELLANEOUS

TAMBE METAL PRODUCTS

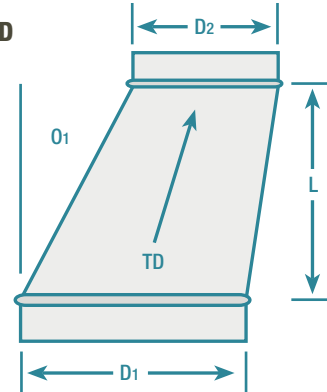
## SET

### OFFSET



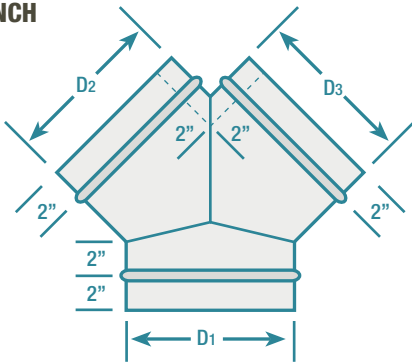
## ROET

### ROUND TO ROUND



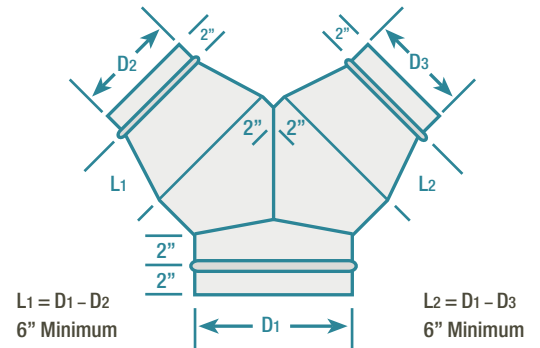
## Y45

### Y BRANCH



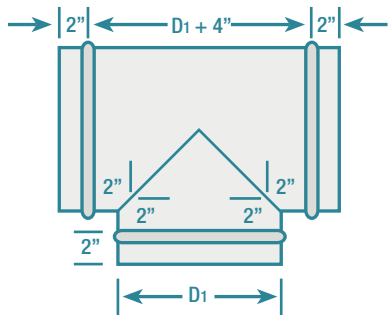
## YR45

### REDUCING Y BRANCH



## BHT/BHTV

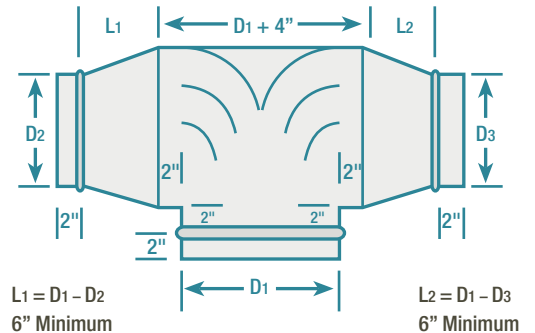
### BULL HEAD TEE With or without vanes.



D1	No. of vanes
3-7	1
8-10	3
10-60	5
>60	Max 12" spacing

## BHTR/BHTRV

### REDUCING BULL HEAD TEE With or without vanes.



# Shop/Field Installed **ACCESSORIES**

## TAMBE METAL PRODUCTS

**TAP**

**TAP 90**

Standard flange is 1/2".  
2" saddle is also available.

**CONICAL TAP**

**CTAP 90**

Standard flange is 1/2".  
2" saddle is also available.

**LATERAL TAP**

**TAP 45**

Standard flange is 1/2". 2" saddle is also available.

**SHOE TAP**

D2	L
3 thru 8	5"
9 thru 16	7"
17 thru 26	10"
27" and up	13"

Standard flange is 1/2". 2" saddle is also available.

**REGISTER TAP**

**RECTAP**

Flange in or out

1/2" Flange

**ACCESS DOOR**

**ADOOR**