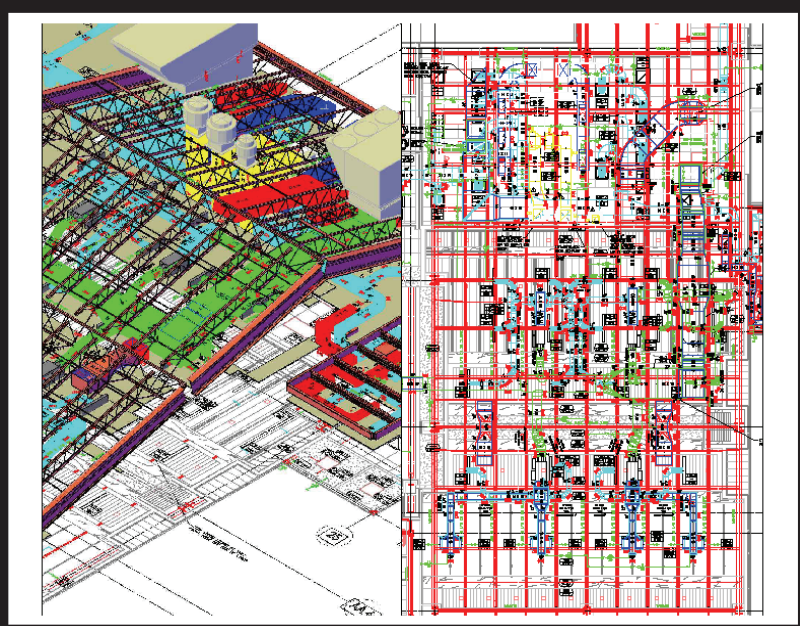
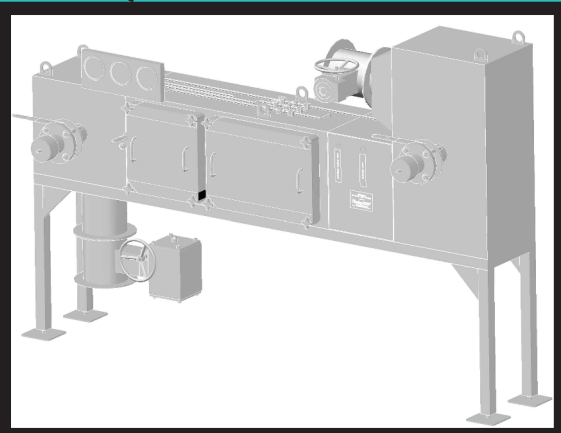
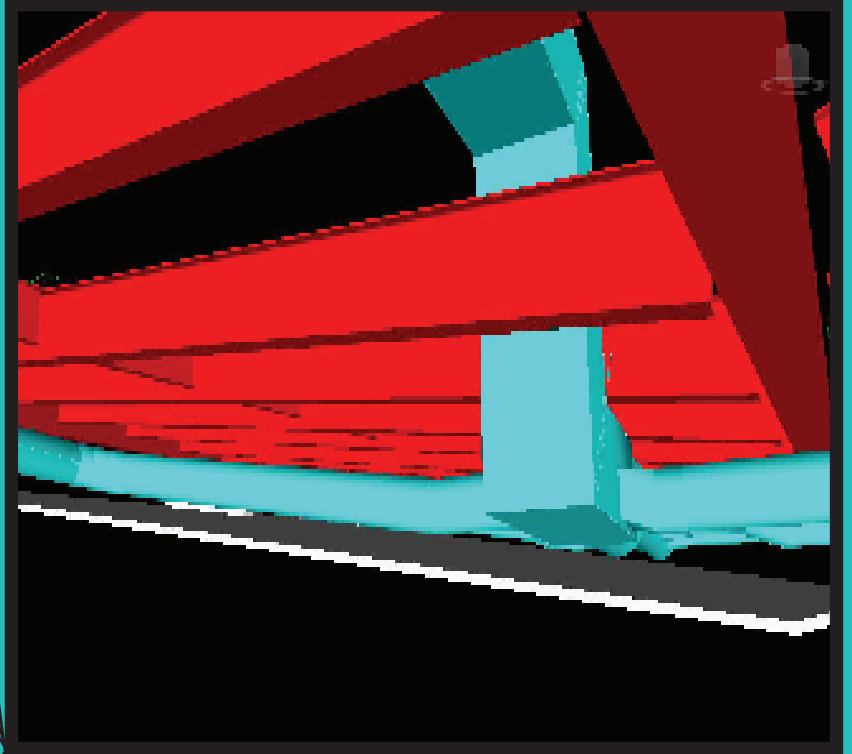
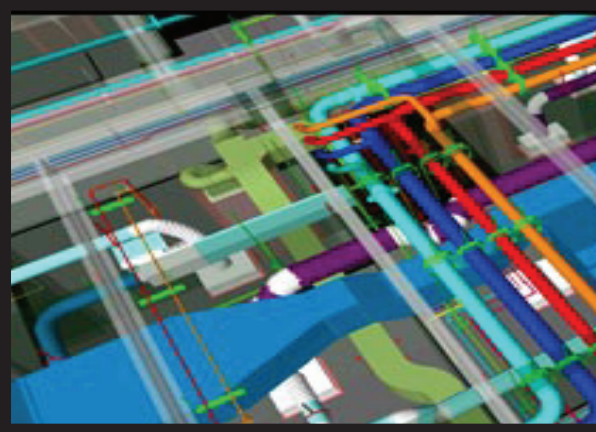


CAD / CAM Services

Tambe Metal Products offers complete CAD /CAM design for all your Shop/ Submittal drawings. Our CAD technicians draw everything in 3D using BIM (Building Information Modeling) standards that allow all field conflicts to be coordinated before fabrication starts. Multiple CAD Stations means we always have time for your project.



Our CAD Drawings feature:

- Complete numbering and Barcoding.
- *Downloads to Fabrication.*
- Collision check.
- *Value engineering by CAD Technicians with HVAC Experience.*